

SERIE 19

HIGH RESOLUTION BLIND HOLLOW SHAFT INCREMENTAL ENCODER FOR INDUSTRIAL APPLICATIONS



- Resolution up to 50.000 pulses per turn
- Easy to install, two mechanical options, shaft fixing by setscrew or clamp
- External diameter 58 mm
- Blind hollow shaft \varnothing 6, 8, 10, 12, 14 or 15 mm
- Protection class IP65 according to DIN EN 60529
- Anti-rotation system through flexible flange or pin torque support
- Connection by cable (other cable length available) or industrial connector M12, M23
- Female connector included



Optical Encoder



Incremental Encoder



High shaft load capacity



Vibration and shock resistant



IP 65

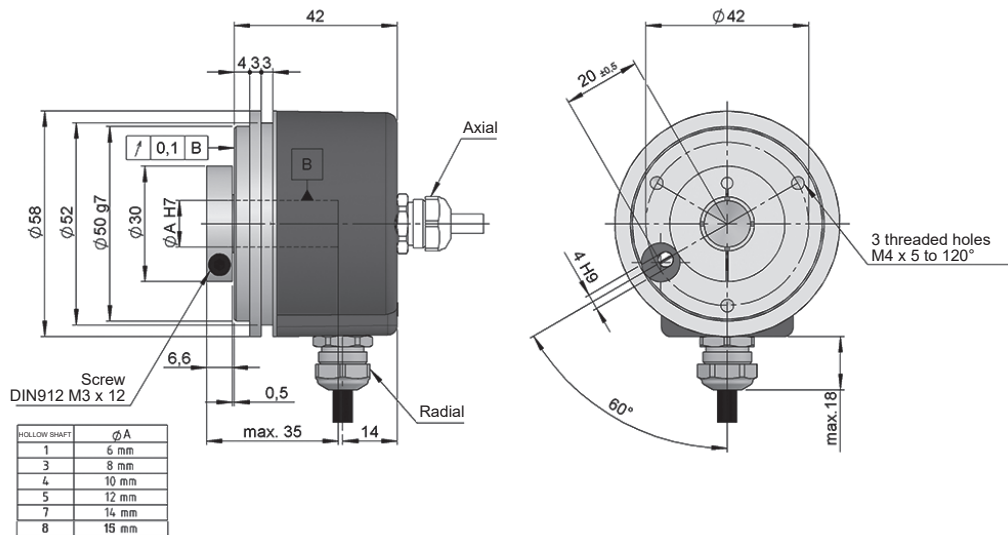


Temperature range
-40°C



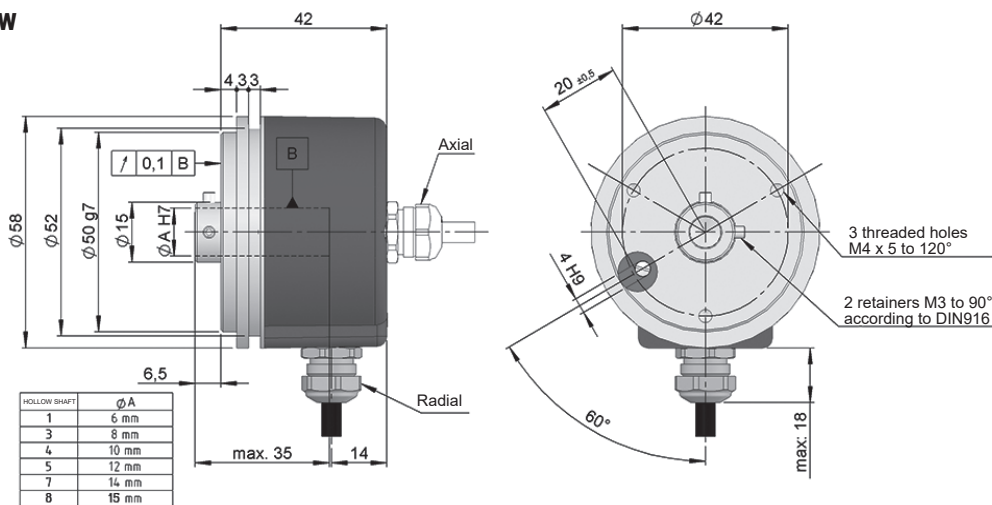
Express Delivery

Clamp



Drawing mechanical option type 1, blind hollow shaft type 5, connection type 3

Setscrew



Drawing mechanical option type 2, blind hollow shaft type 5, connection type 3



SERIE 19

HIGH RESOLUTION BLIND HOLLOW SHAFT INCREMENTAL ENCODER FOR INDUSTRIAL APPLICATIONS

REFERENCE

Reference example: 19-15639-1024

Serie	Mechanical option	Blind-Hollow shaft	Output signals	Connection	Power Supply / Electronic output	Pulses number	Special customer
19 -	<input type="checkbox"/>	<input type="checkbox"/>	<input type="checkbox"/>	<input type="checkbox"/>	<input type="checkbox"/> -	<input type="checkbox"/> <input type="checkbox"/> <input type="checkbox"/> <input type="checkbox"/> <input type="checkbox"/> <input type="checkbox"/>	<input type="checkbox"/> <input type="checkbox"/> <input type="checkbox"/> <input type="checkbox"/> <input type="checkbox"/>
	1. Clamp 2. setscrew	1. Ø 6x26 mm 3. Ø 8x26 mm 4. Ø 10x26 mm 5. Ø 12x26 mm 7. Ø 14x26 mm 8. Ø 15x26 mm	1. A 2. A+B 3. A+B+ $\tilde{0}$ 5. A \tilde{A} +B \tilde{B} 6. A \tilde{A} +B \tilde{B} +0 $\tilde{0}$ 9. A+B+0	3. Radial cable 5. Radial 90.9512 L. Radial 90.9508 (**)	0. 11...30 VDC / NPN Open collector 11..30 VDC 6. 11...30 VDC / RS422 5 VDC (compatible TTL) 7. 5 VDC / RS422 5 VDC (compatible TTL) 9. 11..30 VDC / Line driver differential Push-Pull 11..30 VDC	(*)	HT00. -40°C

Order your reference
Step file 3D

info@encoderhohner.com
service available in 24 h

(*) 10.000 to 50.000 pulses with interpolation. Available 10.000 direct optical pulses without interpolating upon request.

(**) Special customer for connection options with axial outputs, upon request.

The required anti-rotation system is not included in the reference. All systems available in the sections "MOUNTING ACCESSORIES".

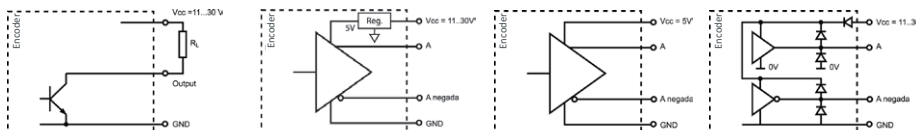
MECHANICAL SPECIFICATIONS

Materials	Cover: Aluminium Housing: Aluminium Shaft: Treated aluminium / Stainless Steel
Bearings	Ballraces
Bearings lifetime	1x10 ¹⁰ rev.
Housing fixing	Anti-rotation pin or Flexible flange
Permitted misalignment	±0.5 mm axial, ±0.3 mm radial (90.1014, 90.1024)
Shaft fixing	Clamp or Setscrew
Blind hollow shaft diameter	6, 8, 10, 12, 14 or 15 mm
Maximum number of revolutions permitted mechanically	6000 rpm
Protection against dust and splashes according to DIN EN 60529	IP65
Rotor inertia moment	30 gcm ²
Starting torque at 20°C (68°F)	≤ 0,02 Nm
Maximum load permitted on axial shaft	40 N
Maximum load permitted on radial shaft	60 N
Weight aprox.	0,5 Kg
Operating temperature range	-20°C to +80°C - Standard -40°C to +80°C - Special Customer HT00
Vibration according to DIN EN 60068-2-6	100 m/s ² (10Hz...2000Hz)
Shock according to DIN EN 60068-2-27	1000 m/s ² (6ms)
Maximum pulses per turn	50.000
Radial connection	2 meters cable or industrial connector M12, M23 (other cable lengths available on order) Female connector included

SERIE 19

HIGH RESOLUTION BLIND HOLLOW SHAFT INCREMENTAL ENCODER FOR INDUSTRIAL APPLICATIONS

OUTPUT SIGNALS



OUTPUT CIRCUIT	NPN Open Collector	RS422 (TTL compatible)	RS422 (TTL compatible)	Push-Pull Differential
Reference code	0	6	7	9
Power supply	11...30 VDC	11...30 VDC	5 VDC ±5%	11...30 VDC
Output voltage	11...30 VDC	5 VDC	5 VDC	11...30 VDC
Consumption	40 mA	Typical: 80 mA Max: 160 mA	Typical: 70 mA Max: 150 mA	Typical: 45 mA Max: 150 mA
Max. load capability / channel	40 mA	±20 mA	±20 mA	±30 mA
Length of cable allowed	50 m (24 VDC)	1200 m	1200 m	100 m
"Low" signal level	VOL < 0.4 VDC (24 VDC)	VOL < 0.5 VDC	VOL < 0.5 VDC	VOL < 2.5 VDC
"High" signal level	VOH > 22 VDC (24 VDC)	VOH > 2.5 VDC	VOH > 2.5 VDC	VOH > VCC – 3 VDC
Frequency	100 kHz	300 kHz	300 kHz	200 kHz
Short circuit protection	Not permanent	Yes	Yes	Yes
Protection polarity inversion	Yes	Yes	No	Yes

Channel B leads (90° electric) channel A, view from the shaft, shaft rotating clockwise

CONNECTION



	95.0008002 Cable 2x2x0,14+1x0,14	95.0008003 (* Cable 3x2x0,14+2x0,34	90.9508 M12 8p CCW	90.9512 M23 12p CW
GND	Yellow	Black	1	1
VCC	White	Red	2	2
A	Brown	Yellow	3	3
B	Brown	Green	4	4
\tilde{A}		Brown	5	5
\tilde{B}		Blue	6	6
0 (reference)	Grey	Grey	7	7
$\tilde{0}$	Grey	Orange	8	8

(* Cable 3x2x0,14+2x0,34 only for encoders with inverted signals.

SERIE 19

HIGH RESOLUTION BLIND HOLLOW SHAFT INCREMENTAL ENCODER FOR INDUSTRIAL APPLICATIONS

ACCESSORIES EXAMPLES



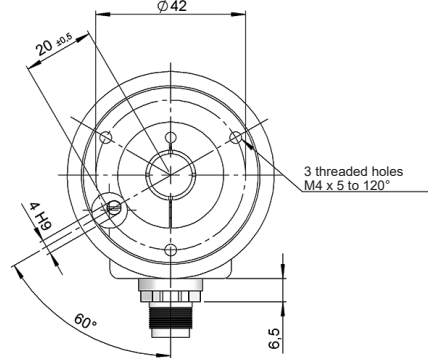
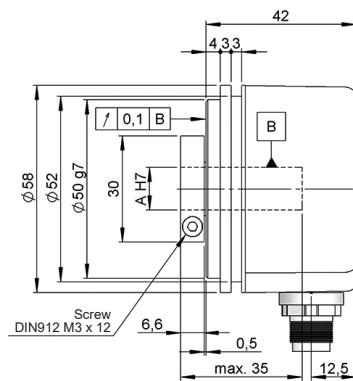
All the accessories available in the section "MOUNTING ACCESSORIES".

CONNECTION DIMENSIONS

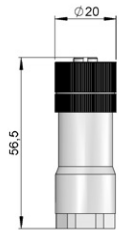
Female connector included

Connection L Radial 90.9508

90.9508
M12 8p
male panel
counter clockwise

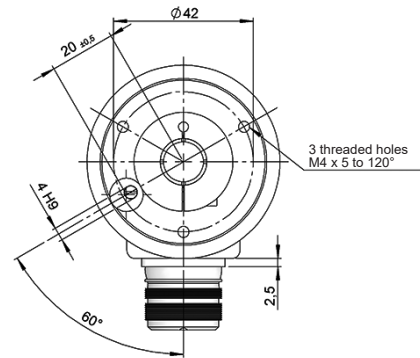
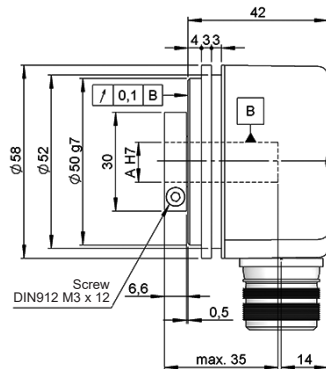


90.9508

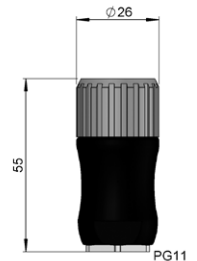


Connection 5 Radial 90.9512

90.9512
M23 12p
male panel
clockwise



90.9512

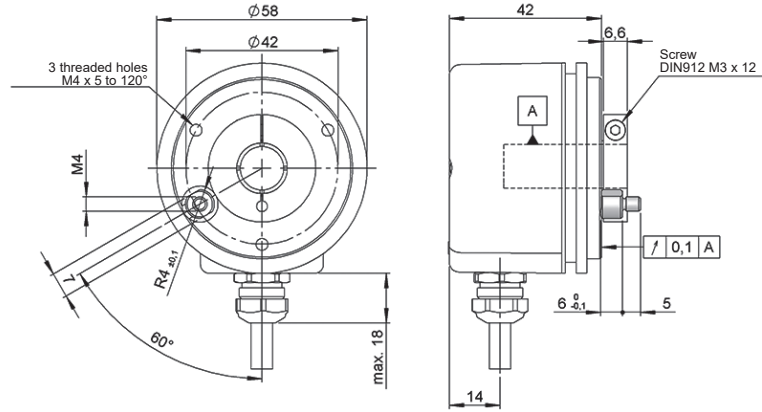


SERIE 19

HIGH RESOLUTION BLIND HOLLOW SHAFT INCREMENTAL ENCODER FOR INDUSTRIAL APPLICATIONS

ANTI-ROTATION SYSTEMS DIMENSIONS

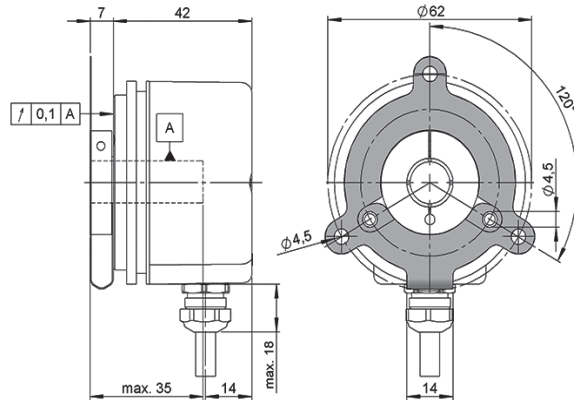
Anti-rotation Pin
90.1040



90.1040



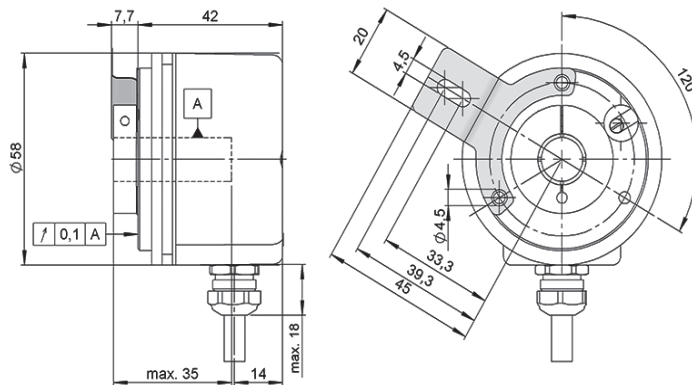
Flexible flange
90.1014



90.1014



Flexible flange
90.1018



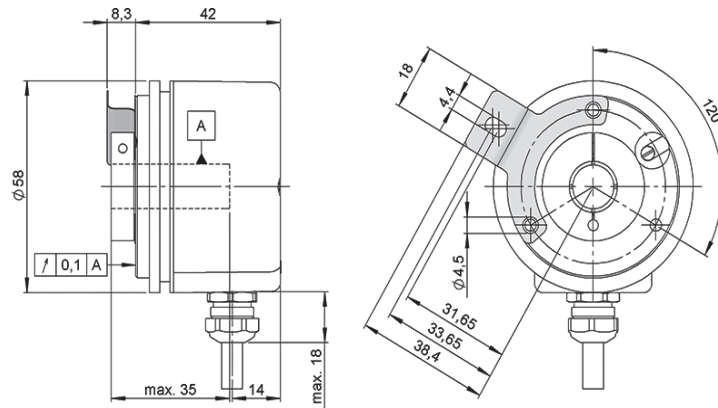
90.1018



SERIE 19

HIGH RESOLUTION BLIND HOLLOW SHAFT INCREMENTAL ENCODER FOR INDUSTRIAL APPLICATIONS

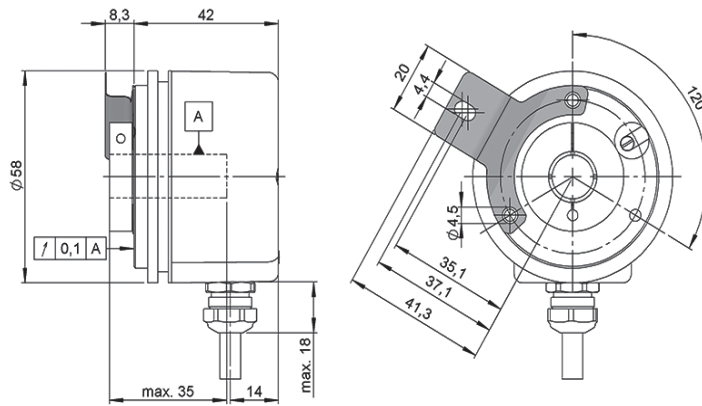
Flexible flange
90.1024



90.1024



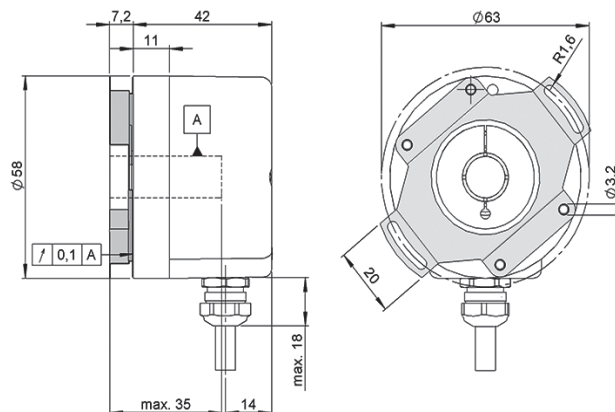
Flexible flange
90.1026



90.1026



Flexible flange
90.1027



90.1027

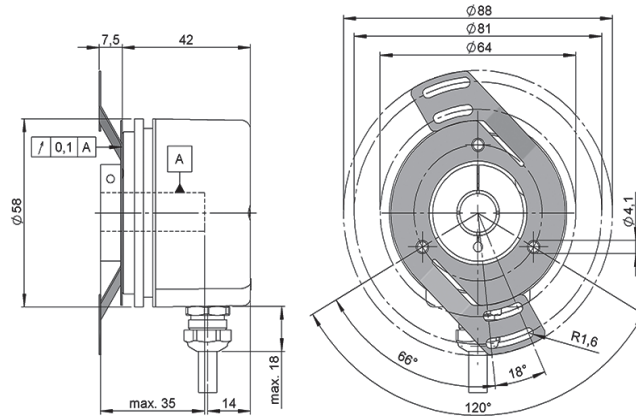


The flexible flange
requires special
customerHG01

SERIE 19

HIGH RESOLUTION BLIND HOLLOW SHAFT INCREMENTAL ENCODER FOR INDUSTRIAL APPLICATIONS

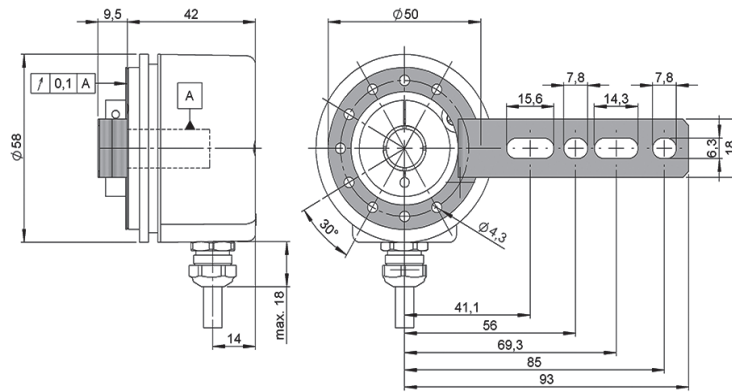
Flexible flange
90.1075



90.1075



Flexible flange
90.1095



90.1095



