



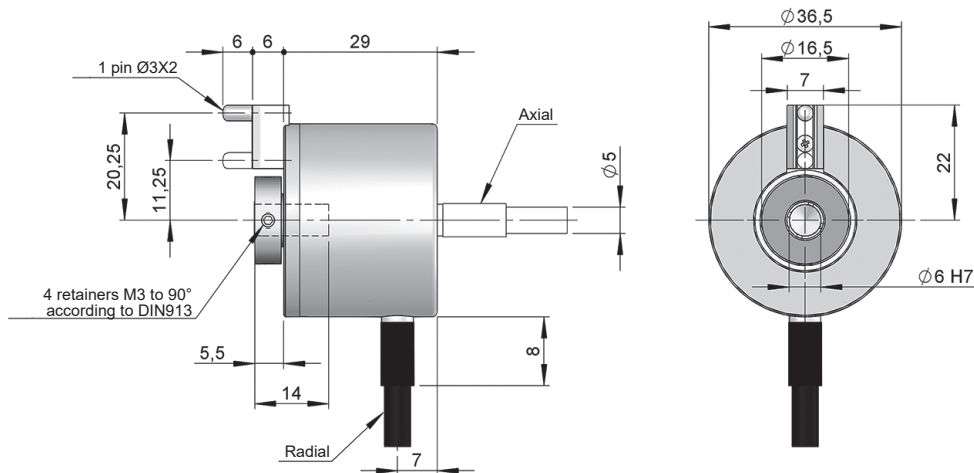
SERIE 22

MINIATURE BLIND HOLLOW SHAFT INCREMENTAL ENCODER FOR INDUSTRIAL APPLICATIONS

- Resolution up to 3.600 pulses per turn
- External diameter 36,5 mm
- Blind hollow shaft \varnothing 6 mm
- Protection class IP64 according to DIN EN 60529
- Anti-rotation system through flexible flange or pin torque support
- Connection by cable (other cable length available) or industrial connector M12
- Female connector included

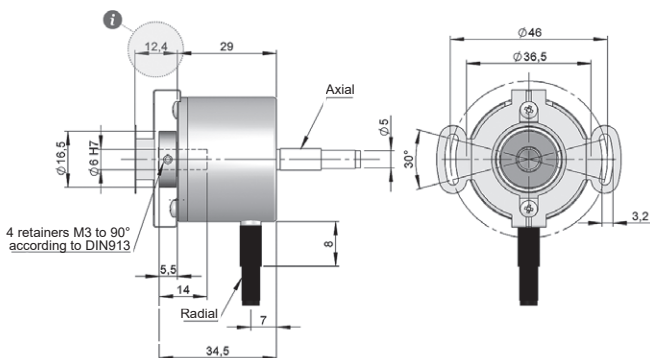


Setscrew / Anti-rotation pin (93.0108204)



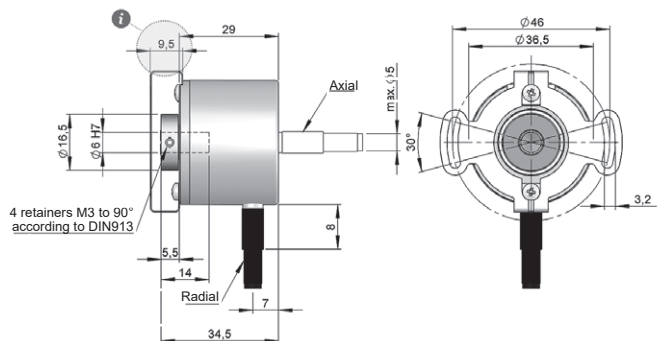
Drawing connection type 1/2, anti-rotation system type 2 (pin included)

Setscrew / Flexible flange (90.1037)



Drawing connection type 1/2, anti-rotation system type 1

Setscrew / Flexible flange (90.1111)



Drawing connection type 1/2, anti-rotation system type 3



SERIE 22

MINIATURE BLIND HOLLOW SHAFT INCREMENTAL ENCODER FOR INDUSTRIAL APPLICATIONS

REFERENCE

Reference example: 22-1721-500

Serie	Anti-rotation system	Output signals	Connection	Power Supply / Electronic output	Pulses number	Special customer
22 -	<input type="checkbox"/>	<input type="checkbox"/>	<input type="checkbox"/>	<input type="checkbox"/> -	<input type="checkbox"/> <input type="checkbox"/> <input type="checkbox"/> <input type="checkbox"/>	<input type="checkbox"/> <input type="checkbox"/> <input type="checkbox"/> <input type="checkbox"/>
	<ol style="list-style-type: none"> 1. Flexible flange (90.1037) 2. Anti-rotation pin (93.0108204) 3. Flexible flange (90.1111) 	<ol style="list-style-type: none"> 2. A+B 3. A+B+0 7. A\tilde{A}+B\tilde{B}+0$\tilde{0}$ 8. A\tilde{A}+B\tilde{B} 	<ol style="list-style-type: none"> 1. Axial cable 2. Radial cable 3. Radial 90.9508 	<ol style="list-style-type: none"> 0. 11...30 VDC / NPN Open collector 11..30 VDC 1. 11..30 VDC / Line driver differential Push-Pull 11..30 VDC 2. 5 VDC / RS422 5 VDC (compatible TTL) 		PT00. -40°C

Order your reference
Step file 3D

info@encoderhohner.com

service available in 24 h

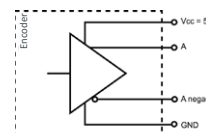
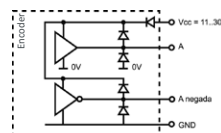
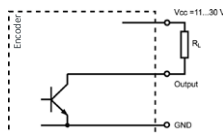
MECHANICAL SPECIFICATIONS

Materials	Cover: Aluminium Housing: Aluminium Shaft: Brass
Bearings	Ballraces
Bearings lifetime	1x10 ¹⁰ rev.
Housing fixing	Anti-rotation pin or flexible flange (included)
Permitted misalignment	±0.3 mm axial, ±0.1 mm radial (90.0108204) ±0.3 mm axial, ±0.2 mm radial (90.1037) ±0.2 mm axial, ±0.1 mm radial (90.1111)
Shaft fixing	Setscrew
Blind hollow shaft diameter	6 mm
Maximum number of revolutions permitted mechanically	6000 rpm
Protection against dust and splashes according to DIN EN 60529	IP64
Rotor inertia moment	2 gcm ²
Starting torque at 20°C (68°F)	≤ 0,01 Nm
Maximum load permitted on axial shaft	20 N
Maximum load permitted on radial shaft	40 N
Weight aprox.	0,1 Kg
Operating temperature range	-20°C to +80°C - Standard -40°C to +80°C - Special Customer PT00
Vibration according to DIN EN 60068-2-6	100 m/s ² (10Hz...2000Hz)
Shock according to DIN EN 60068-2-27	1000 m/s ² (6ms)
Maximum pulses per turn	3.600
Axial or radial connection	2 meters cable or industrial connector M12 (other cable lengths available on order) Female connector included

SERIE 22

MINIATURE BLIND HOLLOW SHAFT INCREMENTAL ENCODER FOR INDUSTRIAL APPLICATIONS

OUTPUT SIGNALS



OUTPUT CIRCUIT	NPN Open Collector	Push-Pull Differential	RS422 (TTL compatible)
Reference code	0	1	2
Power supply	11...30 VDC	11...30 VDC	5 VDC ±5%
Output voltage	11...30 VDC	11...30 VDC	5 VDC
Consumption	40 mA	Typical: 45 mA Max: 150 mA	Typical: 70 mA Max: 150 mA
Max. load capability / channel	40 mA	±30 mA	±20 mA
Length of cable allowed	50 m (24 VDC)	100 m	1200 m
"Low" signal level	VOL < 0.4 VDC (24 VDC)	VOL < 2.5 VDC	VOL < 0.5 VDC
"High" signal level	VOH > 2.2 VDC (24 VDC)	VOH > VCC – 3 VDC	VOH > 2.5 VDC
Frequency	100 kHz	200 kHz	300 kHz
Short circuit protection	Not permanent	Yes	Yes
Protection polarity inversion	Yes	Yes	No

Channel A leads (90° electric) channel B, view from the shaft, shaft rotating clockwise

CONNECTION



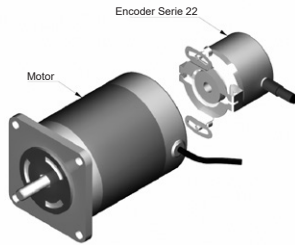
	95.0008051 (* Cable 5x0,14)	95.0008052 (* Cable 8x0,14)	90.9508 M12 8p CCW
GND	White	White	1
VCC	Brown	Brown	2
A	Green	Green	3
B	Yellow	Grey	4
Ã		Yellow	5
Ã		Pink	6
0 (reference)	Grey	Blue	7
0	Grey	Red	8

(* For lengths over 2 meters standard cable, we recommend the use of twisted pair cable 2x2x0,14+1x0,14 (95.0008002) or 3x2x0,14+2x0,34 (95.0008003). Request the final cable length required to avoid junctions.

SERIE 22

MINIATURE BLIND HOLLOW SHAFT INCREMENTAL ENCODER FOR INDUSTRIAL APPLICATIONS

ACCESSORIES EXAMPLES

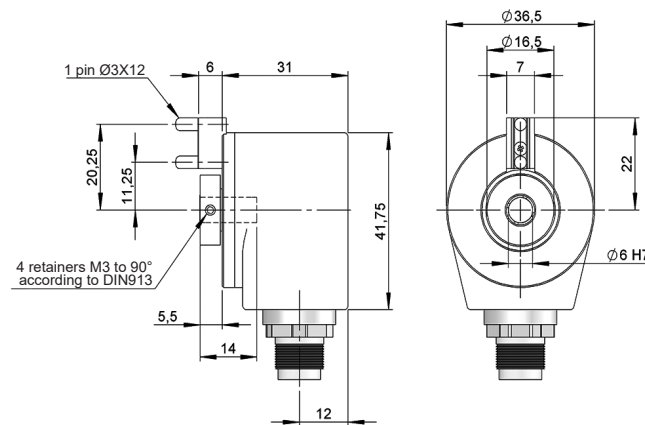


All the accessories available in the section "MOUNTING ACCESSORIES".

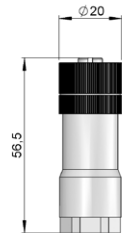
CONNECTION DIMENSIONS

Female connector included

Connection 3
90.9508 radial



90.9508



90.9508
M12 8p
male panel
counter clockwise